



Clip System for Decking

Outline

Gap Spacing of Clip Systems -----	3
Mini Gap System: MG-1A & MG-2A -----	4
T Clip System: TC-2 & TC-10 -----	5
Breaker Board Clip System: TC-17 & TC-27 -----	6
Installation Illustration for TC-17 -----	7
Installation Illustration for TC-27 -----	8
Starting Clip System: MG-3 & TC-19 -----	9
Selection of Screw WJ0052 & WJ0039 -----	10

Gap Spacing of Clip Systems

Mini Gap Clip System
2 mm

T Clip System
5.5 mm



*Boards illustrated: UH02(138mm width)

NewTechWood®

Mini Gap System: MG-1A & MG-2A

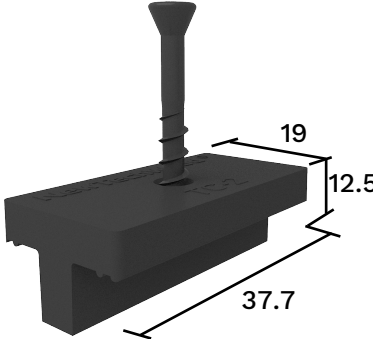
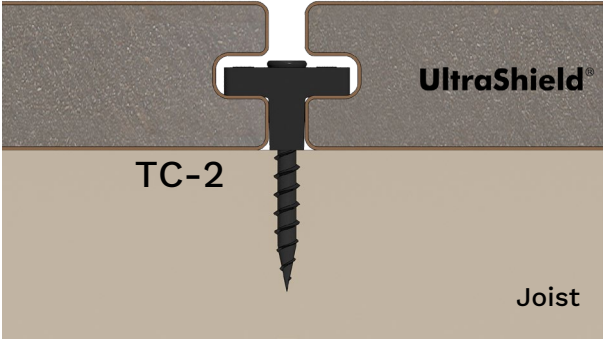
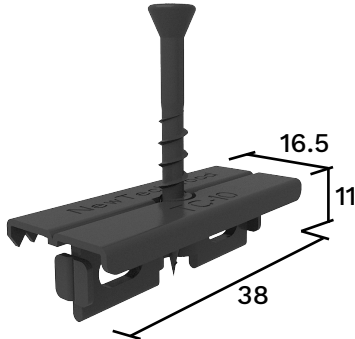
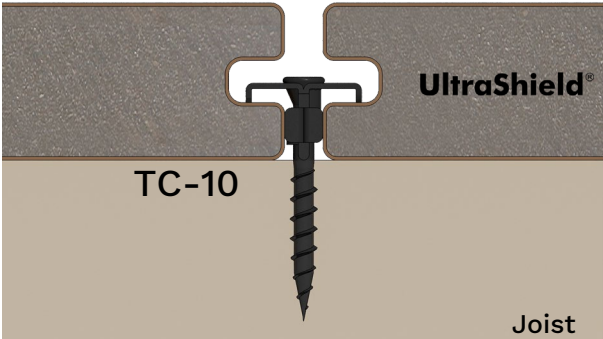
Gap Spacing 2mm

Model	Description	Material	Picture	Installation	Boards Suited for
MG-1A	CEC Clip	Stainless Steel SUS 304 (Black Powder Coated)			US01 US51 US53 UH01 UH02 UH05 UH06 UH07 UH18 UH22 UH32 UH42 UH43
MG-2A	Locking Clip	Stainless Steel SUS 304 (Black Powder Coated)			

Remark: CEC-Controlled Expansion Contraction

T Clip System: TC-2 & TC-10

Gap Spacing 5.5mm

Model	Description	Material	Picture	Installation	Boards Suited for
TC-2	CEC Clip	TPO Plastic			US01 US51 US53 UH01 UH02 UH05 UH06 UH07 UH18 UH22 UH32 UH42 UH43
TC-10	Locking Clip	Stainless Steel SUS 304 (Black Powder Coated)			

Remark: CEC-Controlled Expansion Contraction

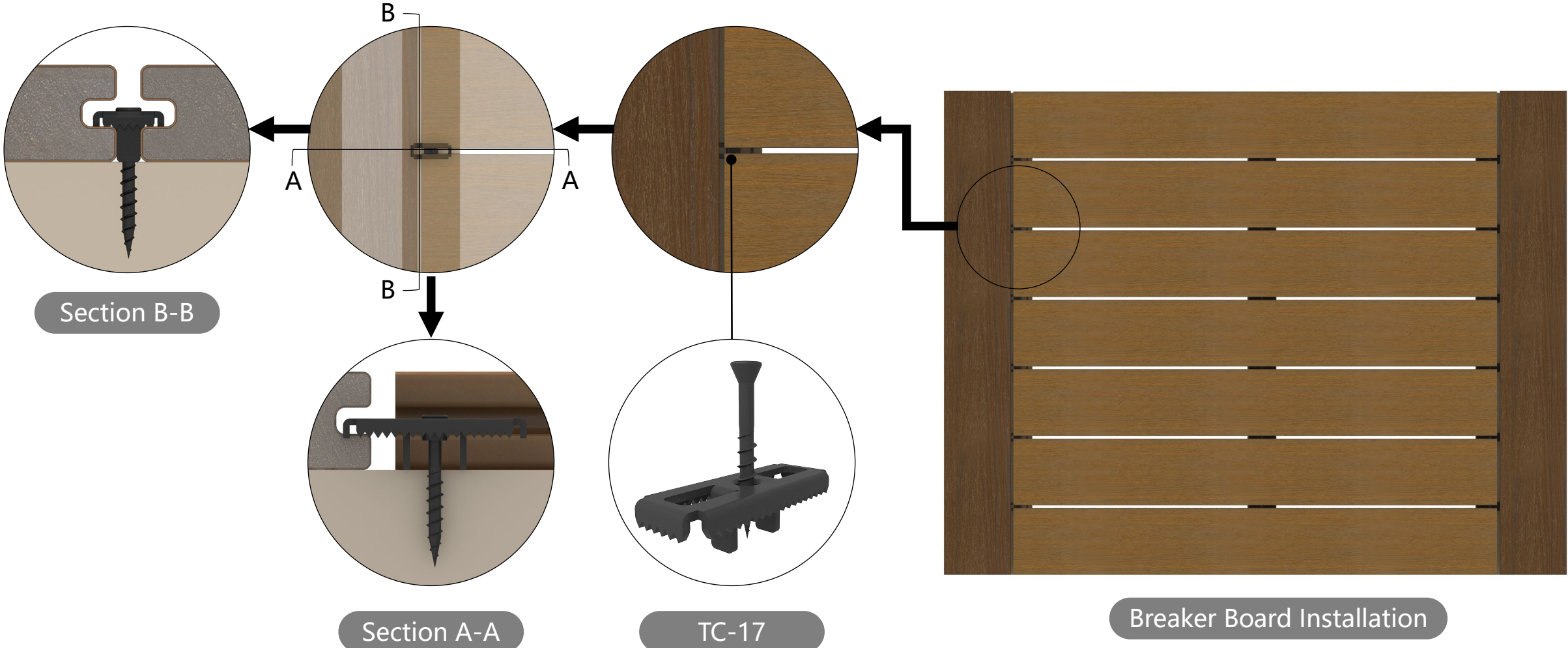
Breaker Board Clip System: TC-17 & TC-27

Gap Spacing 5.5mm

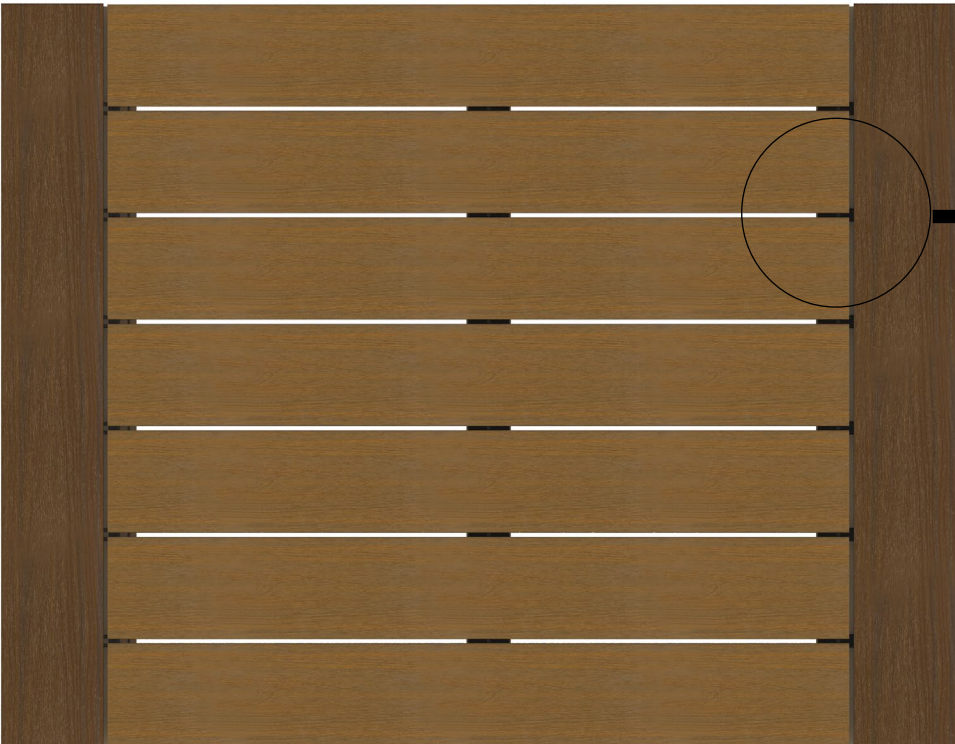
Model	Description	Material	Picture	Installation	Boards Suited for
TC-17	Locking Clip	Stainless Steel SUS 304 (Black Powder Coated)			US01 US51 US53 UH01 UH02 UH05 UH06 UH07 UH18 UH22 UH32 UH42 UH43
TC-27	CEC Clip	TPO Plastic			

Remark: CEC: Controlled Expansion Contraction

Installation Illustration for TC-17



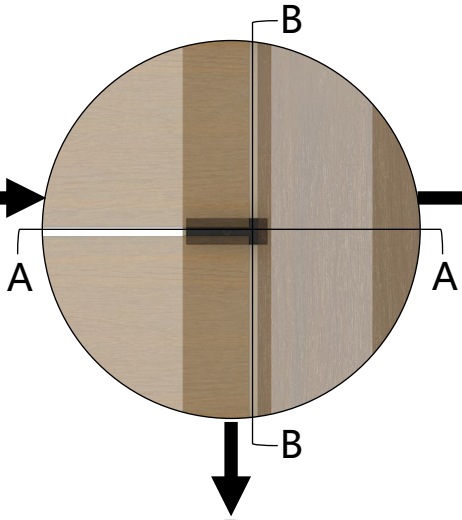
Installation Illustration for TC-27



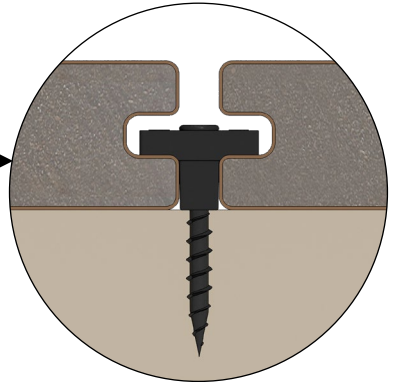
Breaker Board Installation



TC-27

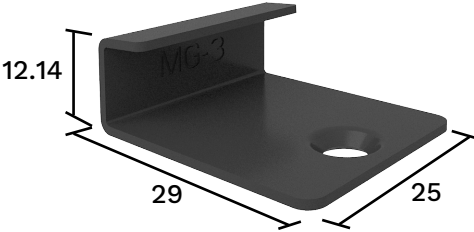
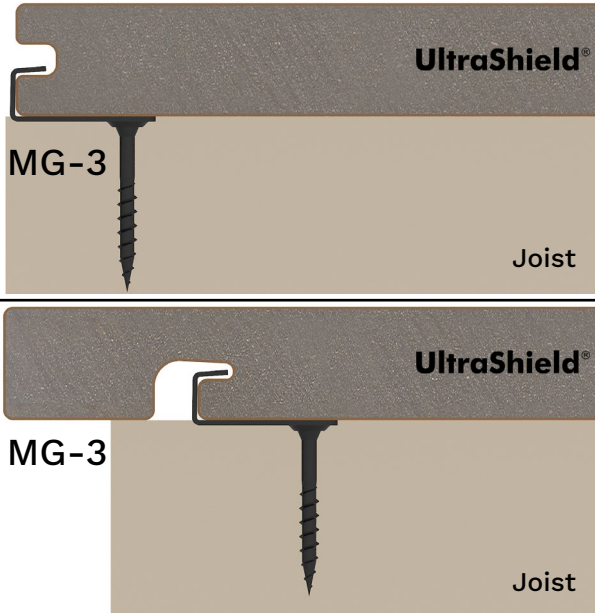
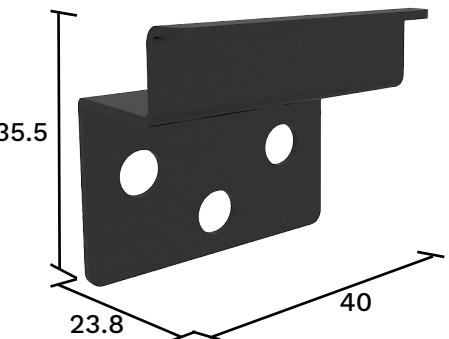
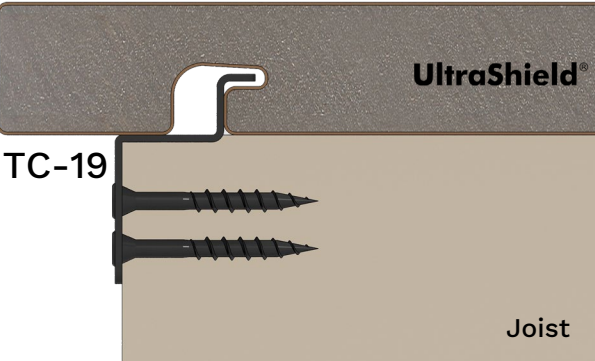


Section A-A





Section B-B

Starting Clip System: MG-3 & TC-19

Model	Description	Material	Picture	Installation	Boards Suited for
MG-3	Starting Clip	Stainless Steel SUS 304 (Black Powder Coated)			<p>US01, US33 US51, US53 US54, US58 US64, US65 US66, US68 UH01, UH02 UH05, UH06 UH07, UH18 UH22, UH32 UH42, UH43</p>
TC-19	Starting Clip	Stainless Steel SUS 304 (Black Powder Coated)			<p>US33 US58</p>

Selection of Screw

Model	Description	Material	Picture	Clips Suited for
WJ0052	For Wood Joist	M4*36 Stainless Steel SUS304 Trim head Torx Recess Self Tapping Screw (Black Zinc plating)		MG-1A, MG-2A TC-2, TC-10 TC-17, TC-27 MG-3, TC-19
WJ0039	For Metal Joist	M4*30 410# Steel Trim Head Torx Recess Self Drilling Screw (Black Zinc plating)		MG-1A, MG-2A TC-2, TC-10 TC-17, TC-27 MG-3, TC-19



For more information, please visit
www.newtechwood.com