
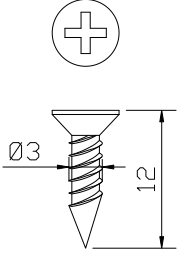
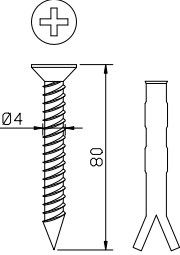

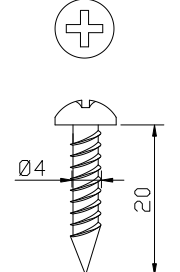

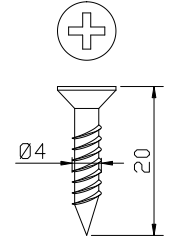

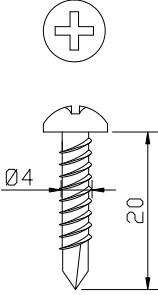

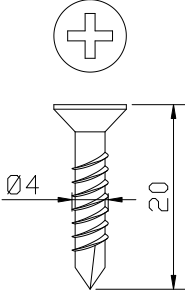

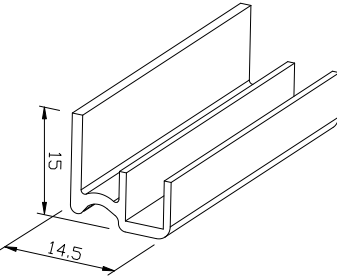

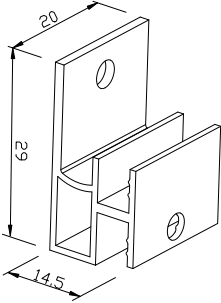

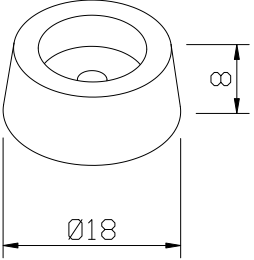

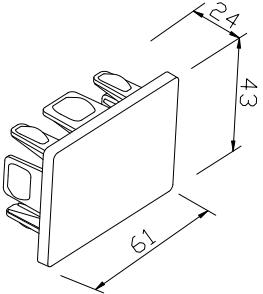

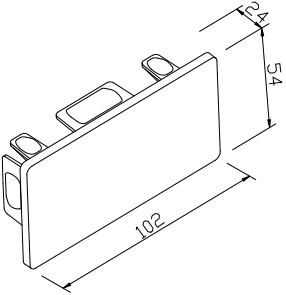

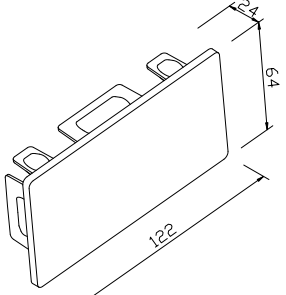

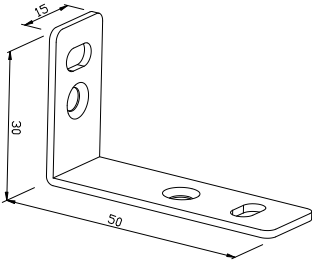


Cladding Accessories Specification

NO.	Model	Product Image	Technical Image	Material	Dimension	Description or Usage
1	M3 x 12			304 Stainless steel	M3 x 12	Used when locking the board into AW08
2	M4 x 80			304 Stainless steel	M4 x 80	Used when installing the joist to the wall
3	M4 x 20 (pan head) For Wood Joist			304 Stainless steel	M4 x 20	Used when installing AW08 into wood joists
4	M4 x 20 (flat head) For Wood Joist			304 Stainless steel	M4 x 20	Used when installing trims into wood joists

NO.	Model	Product Image	Technical Image	Material	Dimension	Description or Usage
5	M4 x 20 (pan head) For Aluminum Joist			410 Stainless steel	M4 x 20	Used when installing AW08 into aluminum joists
6	M4 x 20 (flat head) For Aluminum Joist			410 Stainless steel	M4 x 20	Used when installing trims into aluminum joists
7	AW02			Aluminum	15 x 14.5 mm (0.59 x 0.57 in)	Gives an start point and additional support
8	AW08			Aluminum	20 x 14.5 x 29 mm (0.78 x 0.57 x 1.14 in)	Hold the boards in place, using a grooved design for simplified installation and weather resistance

NO.	Model	Product Image	Technical Image	Material	Dimension	Description or Usage
9	T-7			Rubber	18 x 8 mm (0.70 x 0.31 in)	Allows for the final row of cladding to stay upright
10	Endcaps (EC-UH17)			HDPE	61 x 43 x 24 mm (2.40 x 1.67 x 0.94 in)	
11	Endcaps (EC-UH25)			HDPE	102 x 54 x 24 mm (4.02 x 2.13 x 0.94 in)	Used at the end of UH17, UH25, and UH26 as a covering for the hollow chambers
12	Endcaps (EC-UH26)			HDPE	122 x 64 x 24 mm (4.8 x 2.52 x 0.94 in)	

NO.	Model	Product Image	Technical Image	Material	Dimension	Description or Usage
13	K-33			201 Stainless steel	50 x 30 x 15 mm (1.97 x 1.18 x 0.59 in)	Used as a connecting mechanism between the joist and the decorative profile